

# HHPC P series | Axial piston pump HL control type

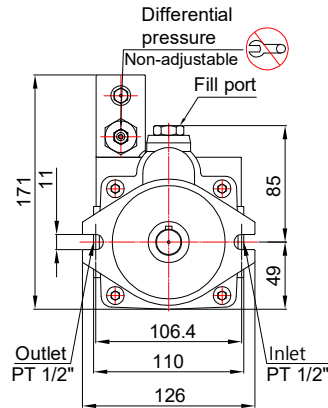
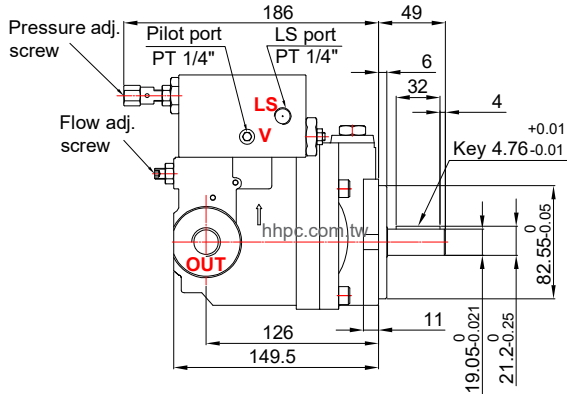
## Type HL Load sensing control type

P	16	-	HL	3	-	ED*	-	F	-	R	-	(S)	-	01
---	----	---	----	---	---	-----	---	---	---	---	---	-----	---	----

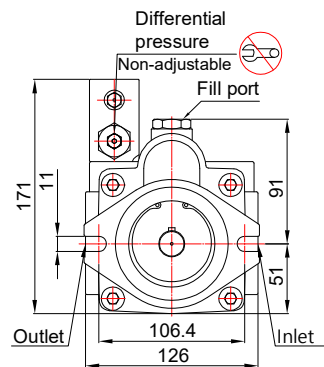
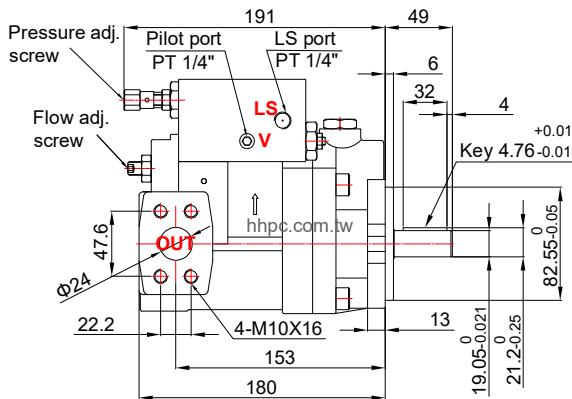
### \*Pressure

- 1:20-75 bar(P08-P100)
- 2:25-145 bar(P08-P100)
- 3:30-215 bar(P08-P100)
- 4:30-280 bar(P70-P100)

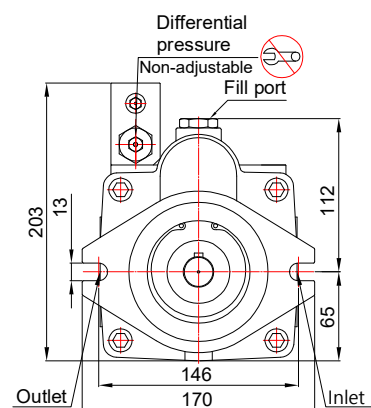
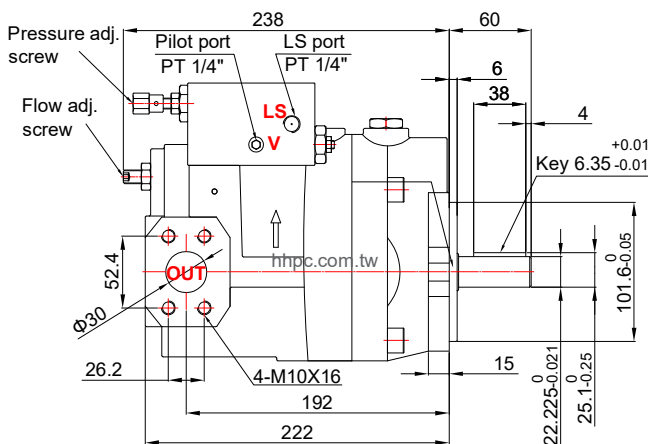
#### P08/10/13-HL\*-F-R-TYPE



#### P16/22-HL\*-F-R-TYPE



#### P36/46-HL\*-F-R-TYPE



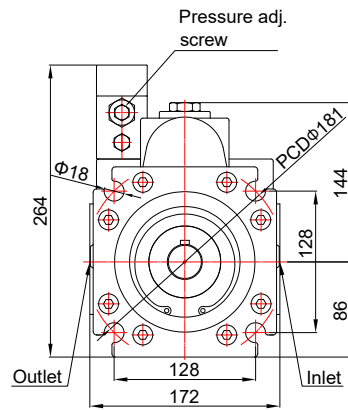
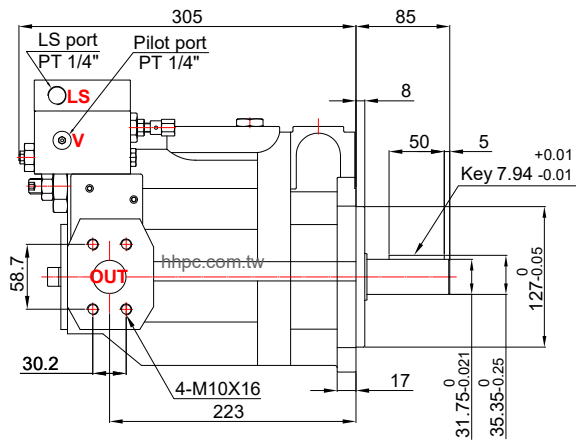
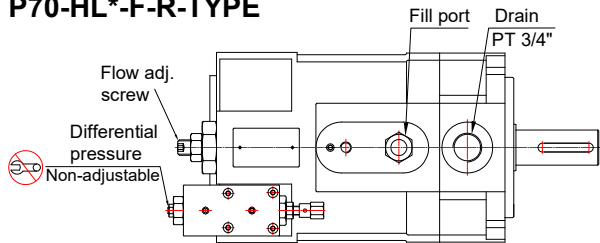
# P series | Axial piston pump HL control type **HHPC**

Load sensing control type

**Type HL**

P	16	-	HL	3	-	ED*	-	F	-	R	-	(S)	-	01
---	----	---	----	---	---	-----	---	---	---	---	---	-----	---	----

## P70-HL\*-F-R-TYPE



## P100-HL\*-F-R-TYPE

