



# P series | Axial piston pump HL EDG control type

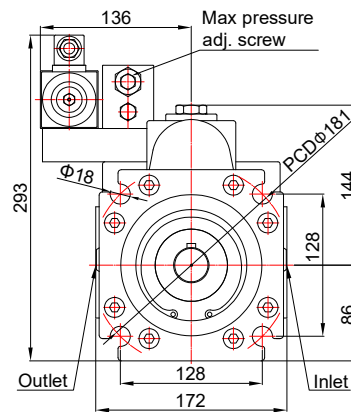
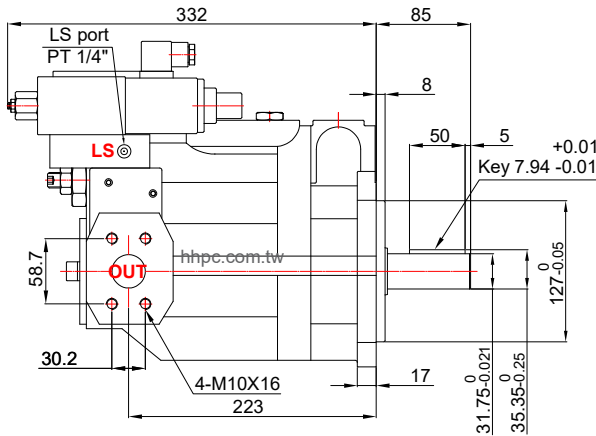
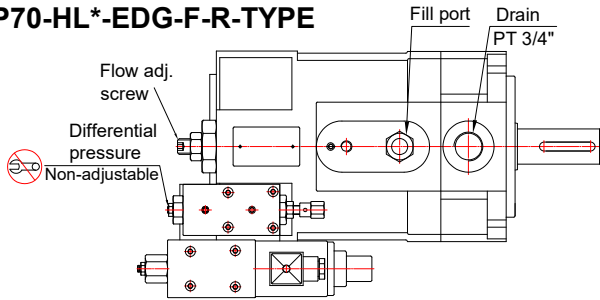


Load sense with pressure  
proportional control type

**Type HL EDG**

P	16	-	HL	3	-	EDG	-	F	-	R	-	(S)	-	01
---	----	---	----	---	---	-----	---	---	---	---	---	-----	---	----

## P70-HL\*-EDG-F-R-TYPE



## P100-HL\*-EDG-F-R-TYPE

