

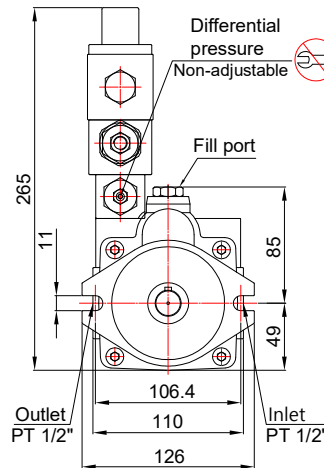
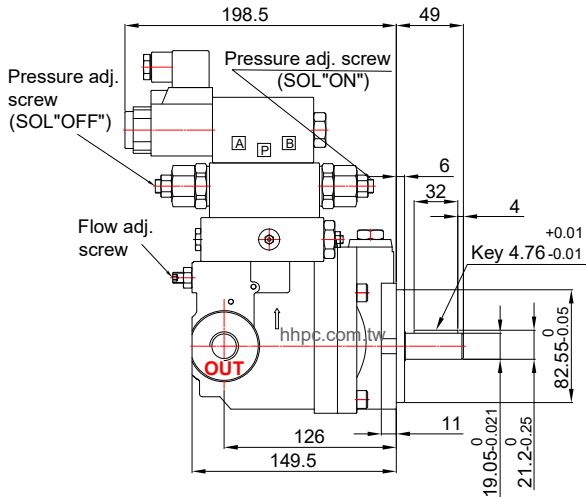
HPC P series | Axial piston pump E control type

Type E Solenoid two pressure control type

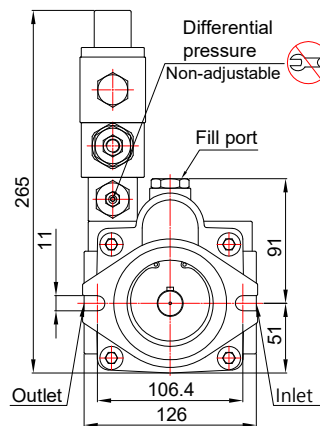
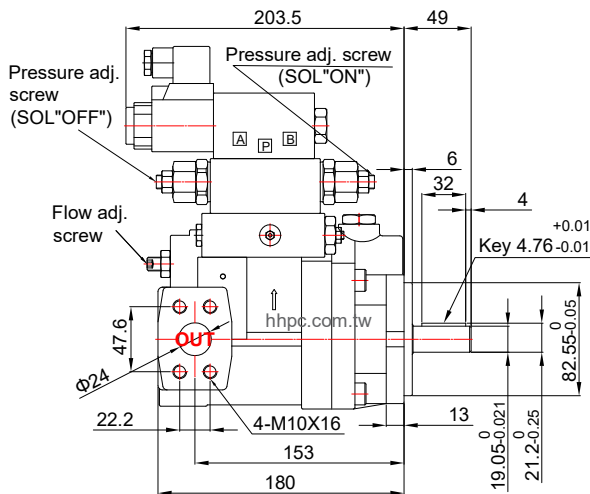
P	16	-	E	3	-	ED*	-	F	-	R	-	(S)	-	01
---	----	---	---	---	---	-----	---	---	---	---	---	-----	---	----

***Pressure(SOL-ON)**
 1:20-75 bar(P08-P100)
 2:25-145 bar(P08-P100)
 3:30-215 bar(P08-P100)

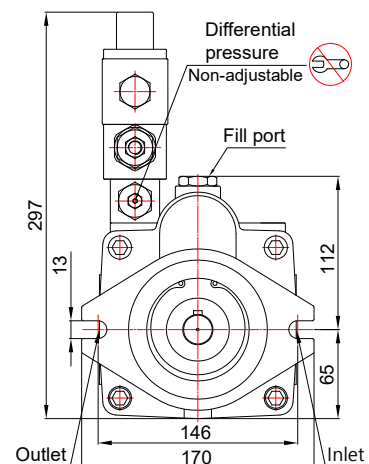
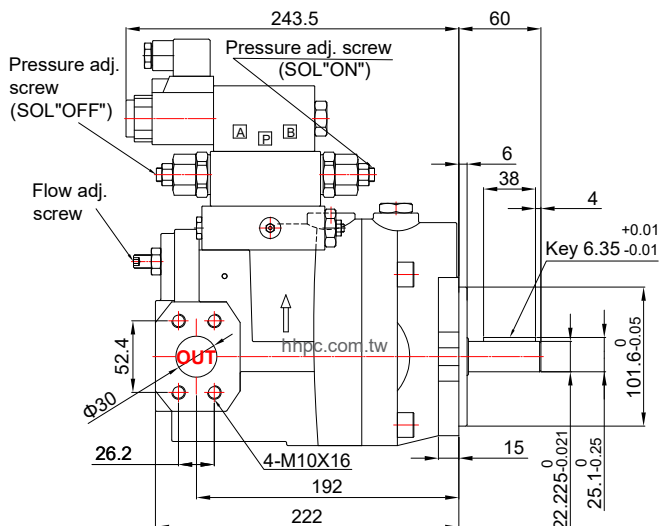
P08/10/13-E*-F-R-TYPE



P16/22-E*-F-R-TYPE



P36/46-E*-F-R-TYPE



P series | Axial piston pump E control type

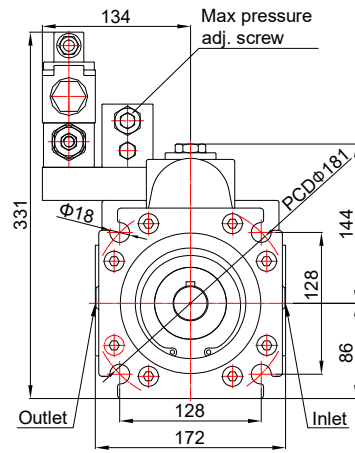
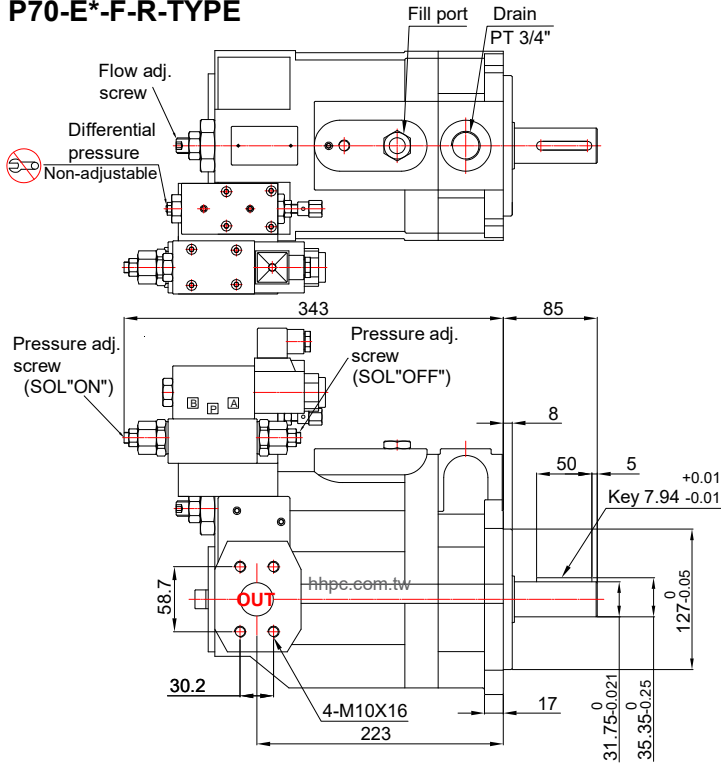


Solenoid two pressure control type

Type E

P	16	-	E	3	-	ED*	-	F	-	R	-	(S)	-	01
---	----	---	---	---	---	-----	---	---	---	---	---	-----	---	----

P70-E*-F-R-TYPE



P100-E*-F-R-TYPE

