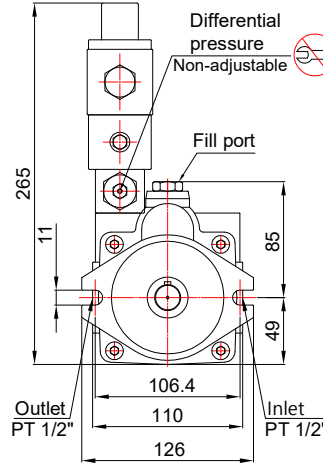
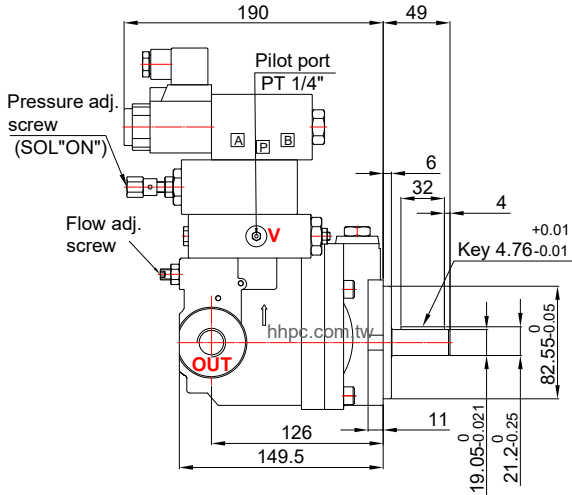


HHPC P series | Axial piston pump D control type

Type D Solenoid cut-off control type

P	16	-	D	3	-	ED*	-	F	-	R	-	(S)	-	01
---	----	---	---	---	---	-----	---	---	---	---	---	-----	---	----

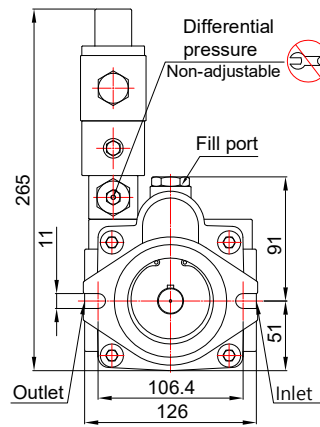
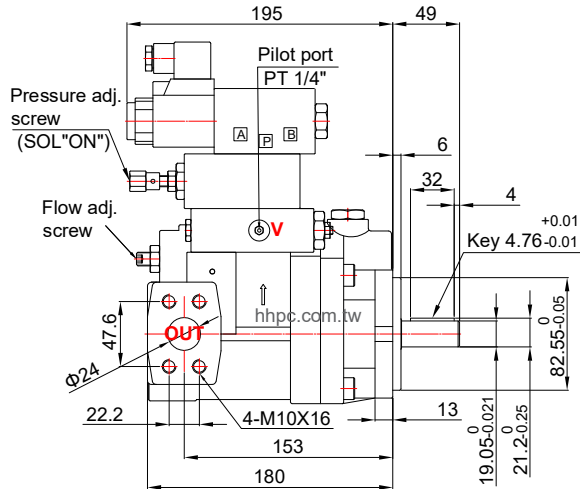
P08/10/13-D*-F-R-TYPE



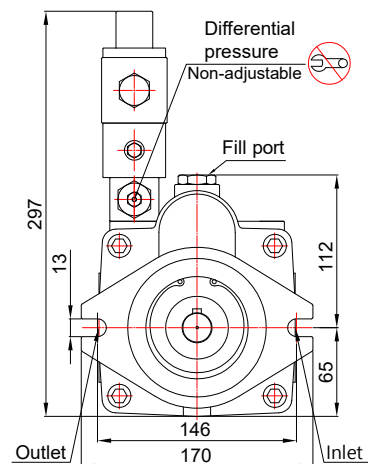
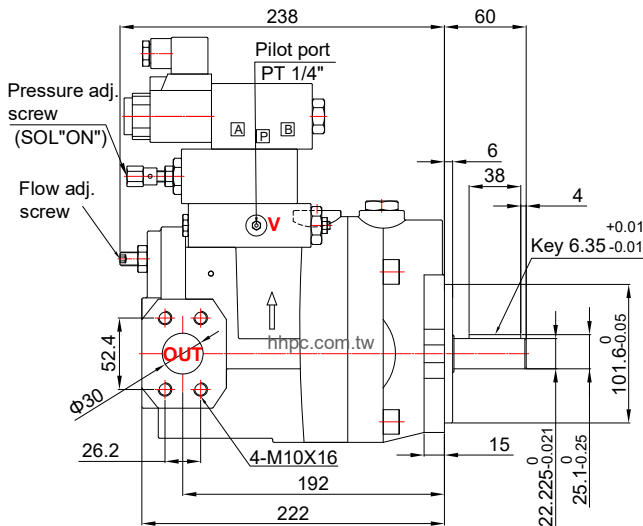
*Pressure

- 1:20-75 bar(P08-P100)
- 2:25-145 bar(P08-P100)
- 3:30-215 bar(P08-P100)
- 4:30-280 bar(P70-P100)

P16/22-D*-F-R-TYPE



P36/46-D*-F-R-TYPE



P series | Axial piston pump D control type

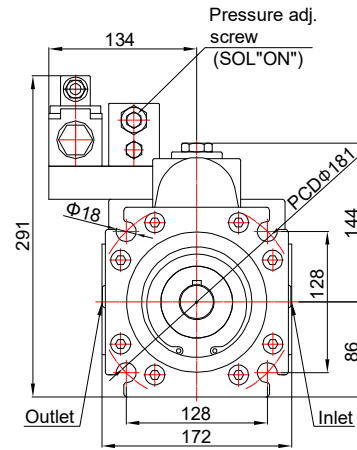
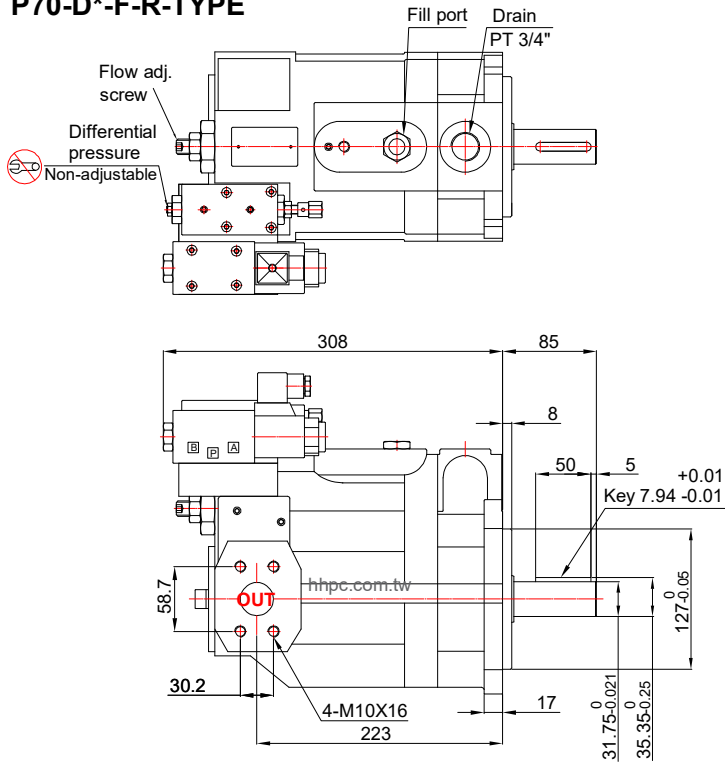


Solenoid cut-off control type

Type D

P	16	-	D	3	-	ED*	-	F	-	R	-	(S)	-	01
---	----	---	---	---	---	-----	---	---	---	---	---	-----	---	----

P70-D*-F-R-TYPE



P100-D*-F-R-TYPE

