

# HHPC P series | Axial piston pump CL-H control type

## Type CL-H

2-pressure, 2-flow rate with solenoid  
two pressure control type

P	16	-	CL	1	-	H	3	-	F	-	R	-	(S)	-	01
---	----	---	----	---	---	---	---	---	---	---	---	---	-----	---	----

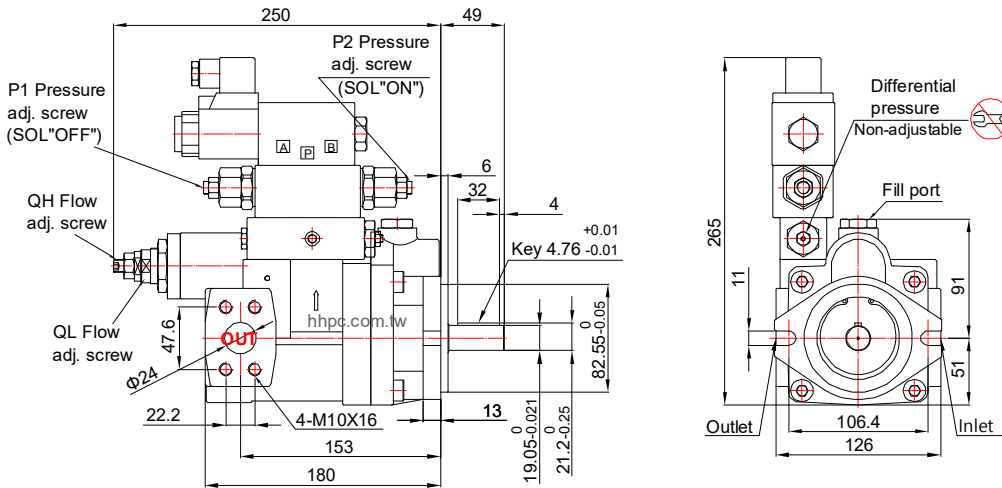
### \*High flow side pressure

0:15-45 bar (P16-P46)  
1:20-75 bar (P16-P100)  
2:25-145 bar (P16-P100)

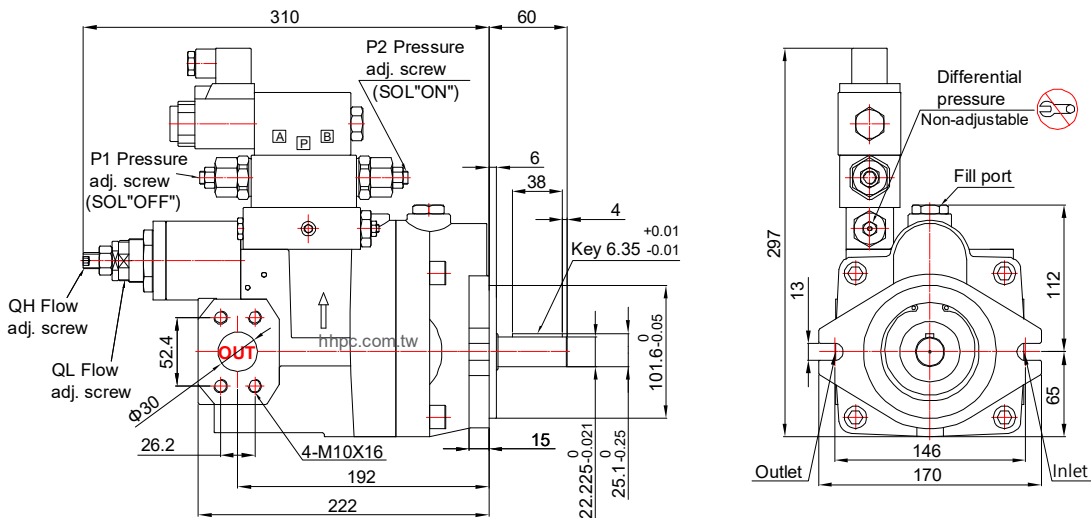
### \*Low flow side pressure

2:25-145 bar (P16-P100)  
3:30-215 bar (P16-P100)

### P16/22-CL\*-H\*-F-R-TYPE



### P36/46-CL\*-H\*-F-R-TYPE



# P series | Axial piston pump CL-H control type **HHPC**

2-pressure, 2-flow rate with solenoid  
two pressure control type

**Type CL-H**

P	16	-	CL	1	-	H	3	-	F	-	R	-	(S)	-	01
---	----	---	----	---	---	---	---	---	---	---	---	---	-----	---	----

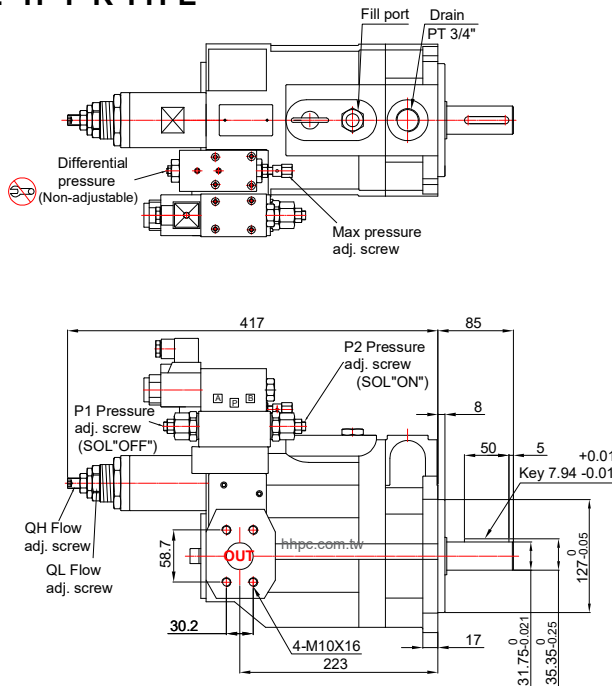
**\*High flow side pressure**

- 0:15-45 bar (P16-P46)
- 1:20-75 bar (P16-P100)
- 2:25-145 bar (P16-P100)

**\*Low flow side pressure**

- 2:25-145 bar (P16-P100)
- 3:30-215 bar (P16-P100)

**P70-CL\*-H\*-F-R-TYPE**



**P100-CL\*-H\*-F-R-TYPE**

