

# HHPC P series | Axial piston pump C-E control type

## Type C-E

2-pressure, 2-flow rate with solenoid two  
PH pressure control type

P	16	-	C	1	-	E	3	-	F	-	R	-	(S)	-	01
---	----	---	---	---	---	---	---	---	---	---	---	---	-----	---	----

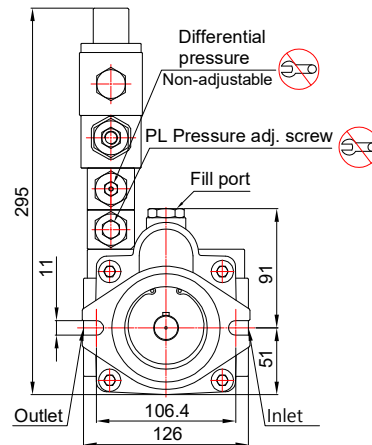
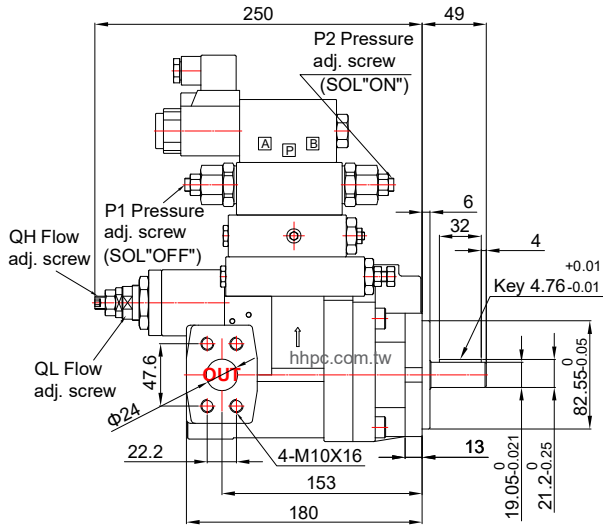
### \*High flow side pressure

0:15-45 bar (P16-P46)  
1:20-75 bar (P16-P100)  
2:25-145 bar (P16-P100)

### \*Low flow side pressure

2:25-145 bar (P16-P100)  
3:30-215 bar (P16-P100)

### P16/22-C\*-E\*-F-R-TYPE



### P36/46-C\*-E\*-F-R-TYPE

