

P series | Axial piston pump C-BH control type **HHPC**

2-pressure, 2-flow rate with remote control
PH pressure & manual pressure type

Type C-BH

P	16	-	C	1	-	BH	3	-	F	-	R	-	(S)	-	01
---	----	---	---	---	---	----	---	---	---	---	---	---	-----	---	----

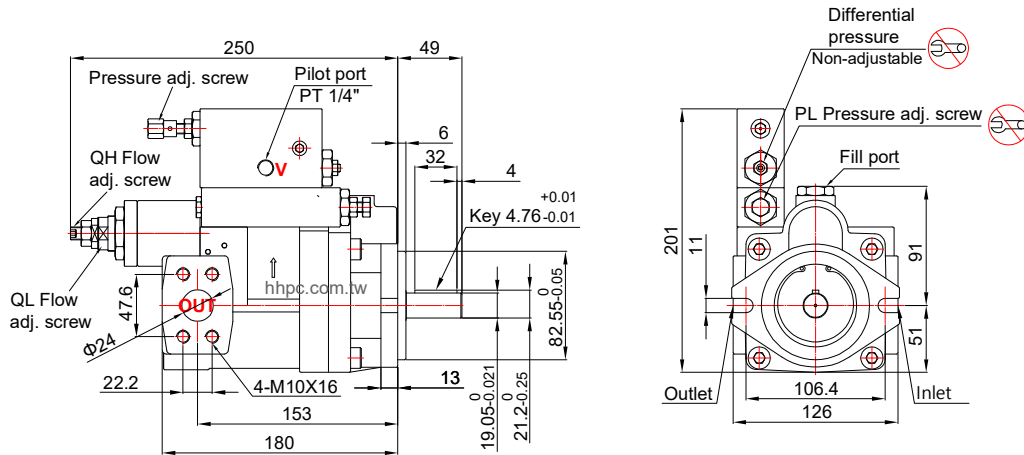
***High flow side pressure**

- 0:15-45 bar (P16-P46)
- 1:20-75 bar (P16-P46)
- 2:25-145 bar (P16-P46)

***Low flow side pressure**

- 2:25-145 bar (P16-P46)
- 3:30-215 bar (P16-P46)

P16/22-C*-BH*-F-R-TYPE



P36/46-C*-BH*-F-R-TYPE

