

# HHPC P series | Axial piston pump BH EDG control type

## Type BH EDG

Pressure proportional control type & manual pressure type

P	16	-	BH	3	-	EDG	-	F	-	R	-	(S)	-	01
---	----	---	----	---	---	-----	---	---	---	---	---	-----	---	----

### \*Pressure

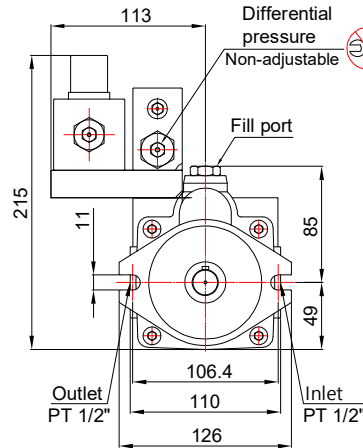
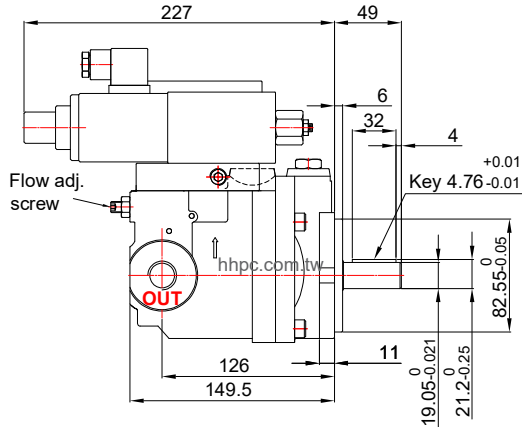
1:20-75 bar(P08-P100)

2:25-145 bar(P08-P100)

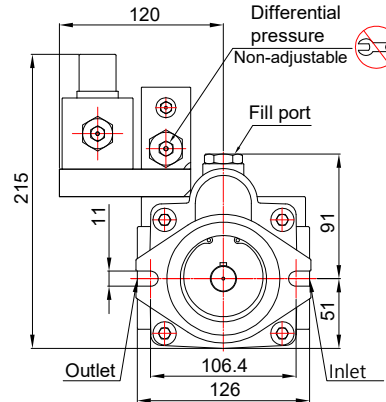
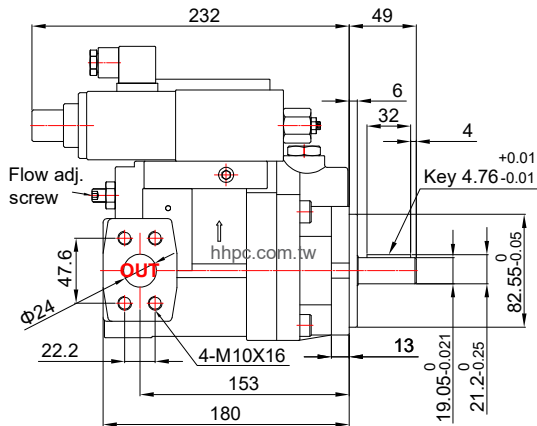
3:30-215 bar(P08-P100)

4:30-280 bar(P70-P100)

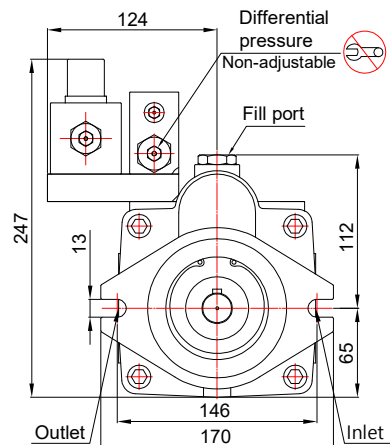
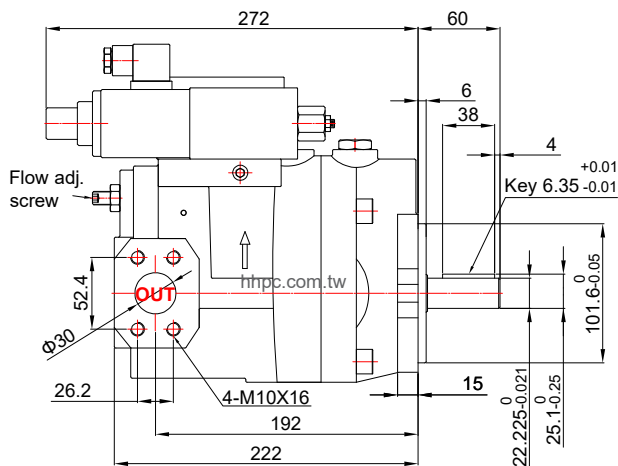
### P08/10/13-BH\*-EDG-F-R-TYPE



### P16/22-BH\*-EDG-F-R-TYPE



### P36/46-BH\*-EDG-F-R-TYPE



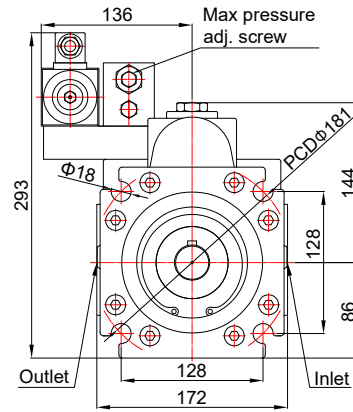
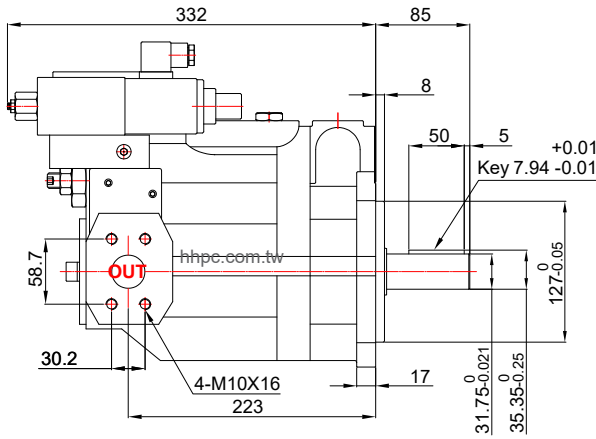
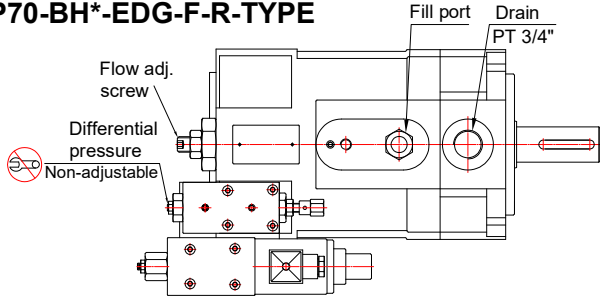
# P series | Axial piston pump **HHPC** BH EDG control type

Pressure proportional control type &  
manual pressure type

**Type BH EDG**

P	16	-	BH	3	-	EDG	-	F	-	R	-	(S)	-	01
---	----	---	----	---	---	-----	---	---	---	---	---	-----	---	----

## P70-BH\*-EDG-F-R-TYPE



## P100-BH\*-EDG-F-R-TYPE

