

# HPC P series | Axial piston pump A control type

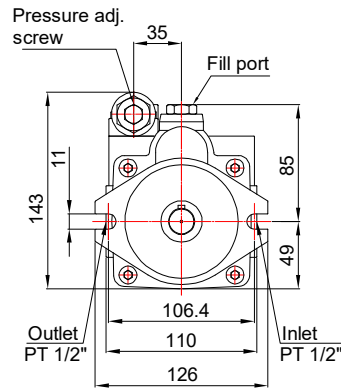
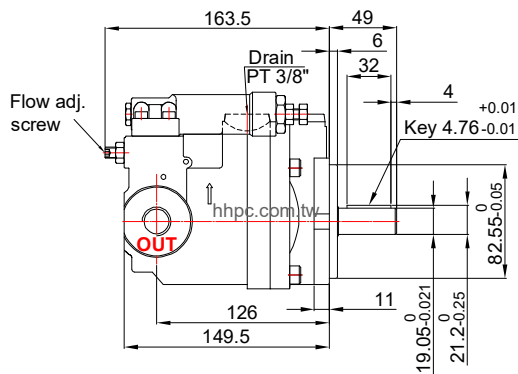
## Type A Pressure compensating type

P	16	-	A	3	-	ED*	-	F	-	R	-	(S)	-	01
---	----	---	---	---	---	-----	---	---	---	---	---	-----	---	----

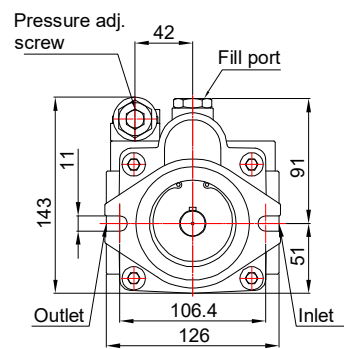
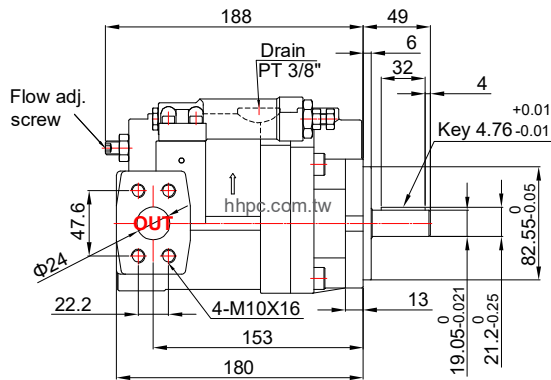
### \*Pressure

- 0:15-45 bar(P08-P46)
- 1:20-75 bar(P08-P100)
- 2:25-145 bar(P08-P100)
- 3:30-215 bar(P08-P100)
- 4:30-280 bar(P70-P100)

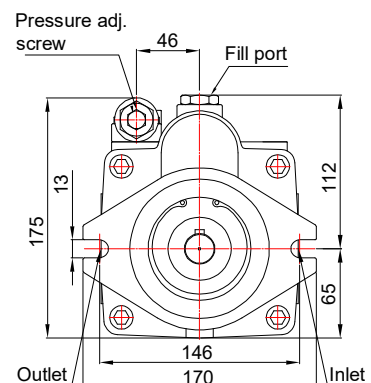
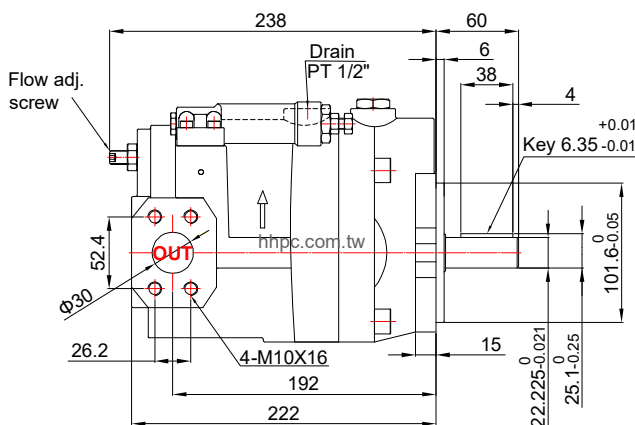
#### P08/10/13-A\*-F-R-TYPE



#### P16/22-A\*-F-R-TYPE



#### P36/46-A\*-F-R-TYPE



# P series | Axial piston pump

## A control type

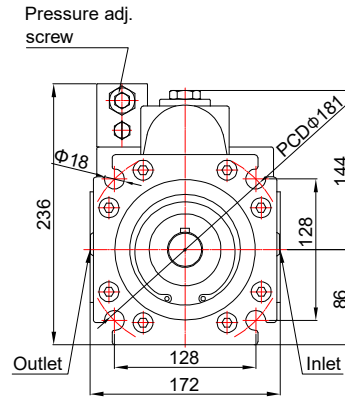
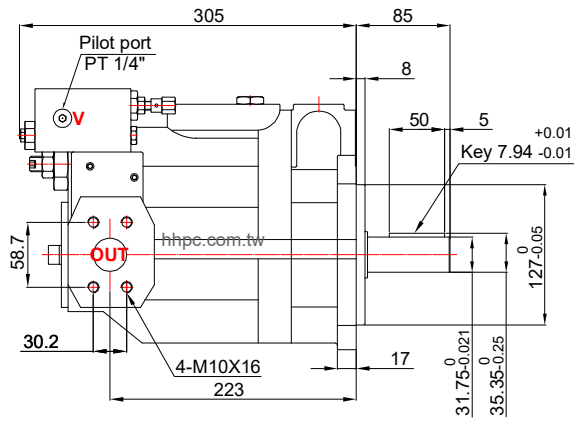
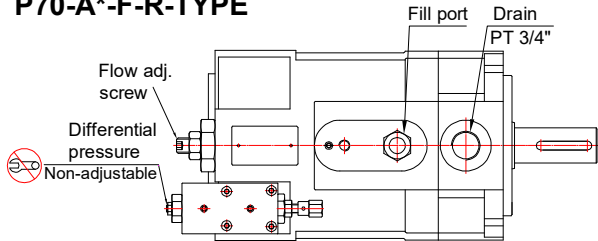


Pressure compensating type

Type A

P	16	-	A	3	-	ED*	-	F	-	R	-	(S)	-	01
---	----	---	---	---	---	-----	---	---	---	---	---	-----	---	----

### P70-A\*-F-R-TYPE



### P100-A\*-F-R-TYPE

