

P系列 | 變量柱塞泵浦 C-BH型 **HPC**

內控式兩壓兩流控制型附高壓保護

Type C-BH

P	16	-	C	1	-	BH	3	-	F	-	R	-	(S)	-	01
---	----	---	---	---	---	----	---	---	---	---	---	---	-----	---	----

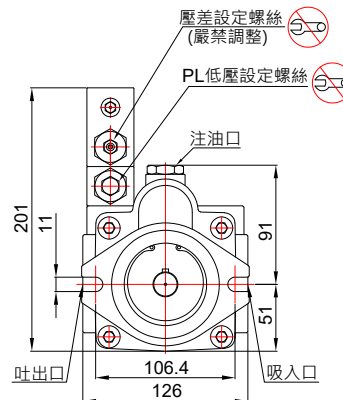
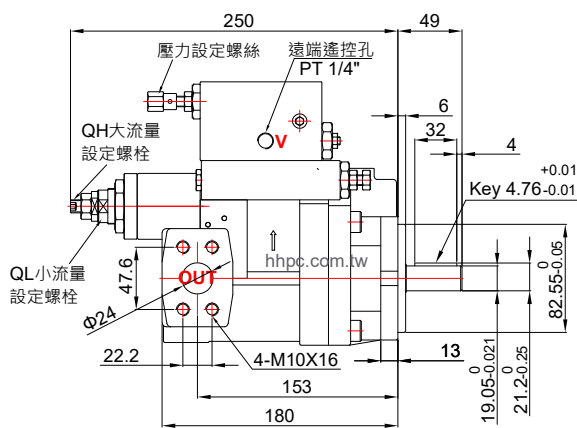
*低壓側壓力

0:15-45 bar (P16-P46)
1:20-75 bar (P16-P46)
2:25-145 bar (P16-P46)

*高壓側壓力

2:25-145 bar (P16-P46)
3:30-215 bar (P16-P46)

P16/22-C*-BH*-F-R-TYPE



P36/46-C*-BH*-F-R-TYPE

