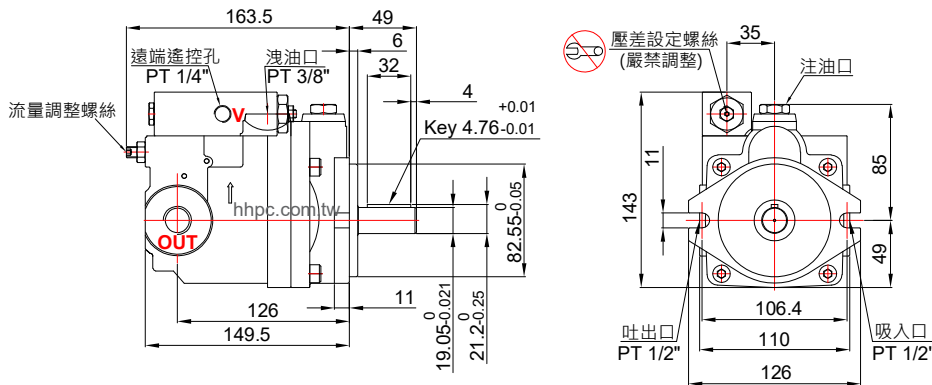


### Type B 遠端遙控型

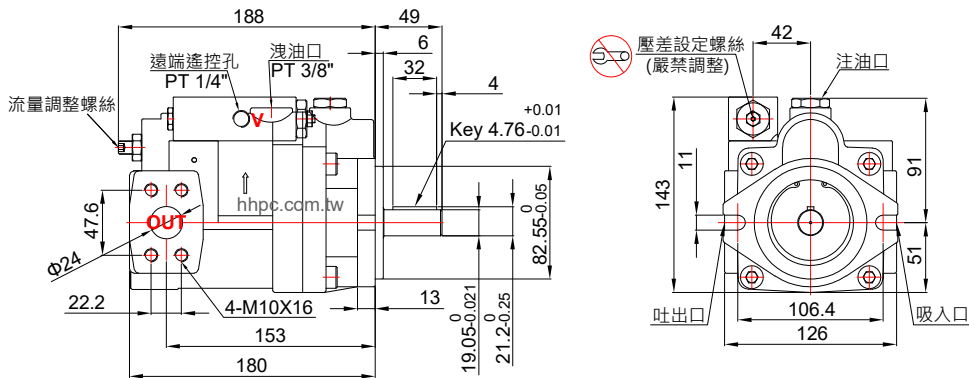
P	16	-	B	3	-	ED*	-	F	-	R	-	(S)	-	01
---	----	---	---	---	---	-----	---	---	---	---	---	-----	---	----

**\*壓力**  
 1:20-75 bar(P08-P46)  
 2:25-145 bar(P08-P46)  
 3:30-215 bar(P08-P46)

**P08/10/13-B\*-F-R-TYPE**



**P16/22-B\*-F-R-TYPE**



**P36/46-B\*-F-R-TYPE**

